



### EPIC RESIDENTIAL CONDENSING BOILER MODELS EPB080-199

Job Name: \_\_\_\_\_ Model No. \_\_\_\_\_

Location: \_\_\_\_\_ Type Gas: \_\_\_\_\_

Engineer: \_\_\_\_\_ Equipment Tag(s): \_\_\_\_\_

Agent/Wholesaler: \_\_\_\_\_

Contractor: \_\_\_\_\_

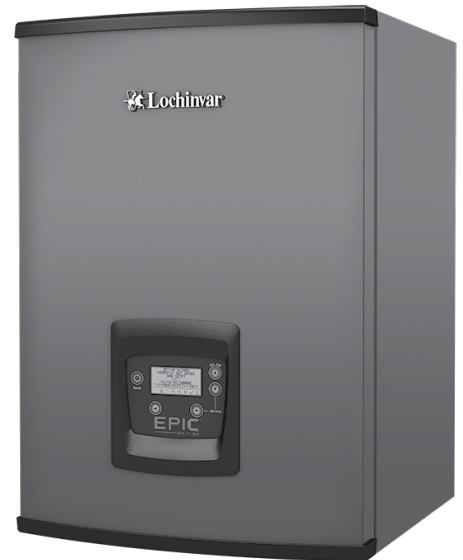
**NOTES:**

**Smart Control™ Features**

- » **SMART CONTROL Digital Operating Control**  
LCD Display with words, not codes
- » **Outdoor Reset Control with Outdoor Air Sensor**
- » **Programmable System Efficiency Optimizers**
- » **Three Pump Control**  
System Pump  
Boiler Pump  
DHW Pump
- » **High-Voltage Junction Box**  
120 VAC / 60 Hertz / 1 Phase Power Supply
- » **Low Voltage Terminal Strip**  
Flow Switch Contacts  
Low-Water Cutoff Connection  
System Sensor Contacts  
Outdoor Air Sensor Contacts  
Cascade Contacts
- » **Time Clock for Data Logging**  
Last 10 Lockouts
- » **Low-Water Flow Safety Control & Indication**
- » **Password Security**
- » **Built-in Cascading Sequencer for up to 8 units**

**Standard Features**

- » **Modulating Burner with 10:1 Turndown**  
Direct-Spark Ignition  
Low-NOx Operation
- » **ASME Stainless Steel Heat Exchanger**
- » **Vertical & Horizontal Direct-Vent**  
PVC, CPVC, Polypropylene or SS Venting up to 100 feet
- » **Condensate Trap**
- » **Other Features**  
Automatic Reset High Limit  
Adjustable High Limit w/Manual Reset  
Wall-Mount Bracket  
Zero Clearances to Combustible Materials  
10-Year HEX Warranty  
(See Warranty for Details)  
5-Year Parts Warranty



**Optional Equipment**

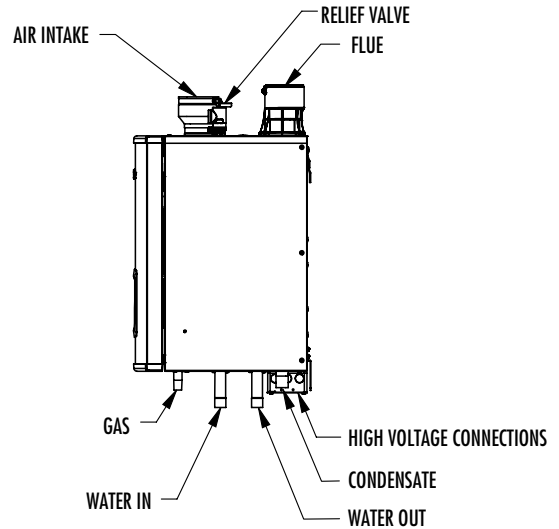
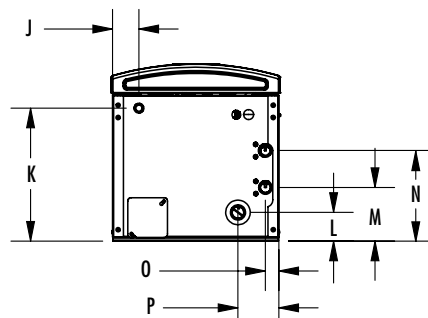
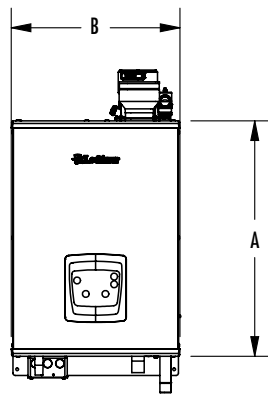
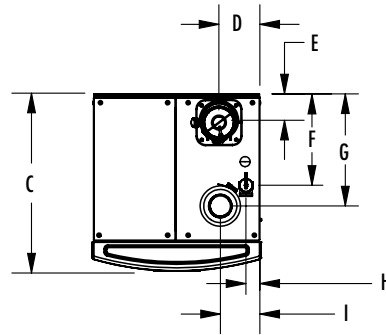
- Low-Water Cutoff w/Manual Reset & Test
- Concentric Vent Kit
- Condensate Neutralization Kit
- Sidewall Vent Termination
- Floor Stand
- Wireless Outdoor Sensor
- Nat to LP Gas Conversion Kit

DESIGNED ★ ENGINEERED ★ ASSEMBLED

# USA

# EPIC™

FIRE TUBE  
DIMENSIONS & SPECIFICATIONS



Model Number	INPUT		AFUE %	Heating Capacity MBH	Net MBH	A	B	C	D	E	F	G	H
	Min MBH	Max MBH											
EPB080N	8.3	80	95.0	74	64	24"	17-1/4"	17-1/4"	2-1/4"	5-1/8"	8-1/2"	5-1/8"	1-1/2"
EPB110N	11	110	95.0	102	89	24"	17-1/4"	18"	2-3/4"	2-7/8"	9"	5-1/2"	2-7/8"
EPB150N	15.0	150	95.0	139	125	24"	17-1/4"	18"	4-1/2"	2-3/4"	9-1/8"	11-3/4"	4-1/2"
EPB199N	19.9	199.9	95.0	185	161	24"	17-1/4"	18"	4-1/8"	2-3/4"	9-3/8"	11-1/2"	4"

Model Number (continued)	I	J	K	L	M	N	O	P	Q	Gas Conn.	Water Conn.	Air Inlet	Vent Size	Shipping Wt. (lbs.)
														EPB080N
EPB110N	2-7/8"	7-3/4"	13-1/8"	2-7/8"	5-1/2"	9"	2"	2"	3"	1/2"	1"	3"	3"	126
EPB150N	4-1/2"	2-7/8"	13-1/8"	3"	5-3/8"	9-1/8"	1-7/8"	1-7/8"	4-5/8"	1/2"	1"	3"	3"	132
EPB199N	4"	2-3/4"	13-1/2"	2-7/8"	5-1/2"	9-1/4"	1-3/8"	1-3/8"	4-1/8"	1/2"	1"	3"	3"	140

**NOTES:**

- Information subject to change without notice. Change "N" to "L" for LP gas models.
- The Net AHRI Water Ratings shown are based on a piping and pickup allowance of 1.15.
- The ratings have been determined under the provisions governing forced draft burners.
- Lochinvar should be consulted before selecting a boiler for installations having unusual piping and pickup requirements, such as intermittent system operation, extensive piping systems, etc.



Lochinvar, LLC  
300 Maddox Simpson Parkway  
Lebanon, Tennessee 37090  
P: 615.889.8900 / F: 615.547.1000  
f t in y Lochinvar.com

